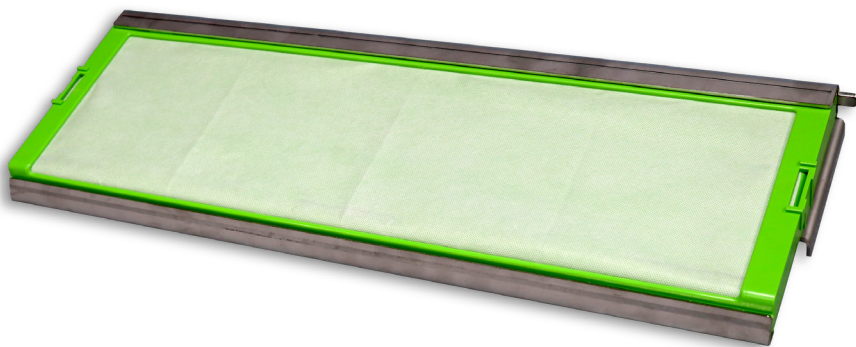


Original Instructions

Installation, Operation & Maintenance Manual

Sentry PathTect Sampler Manual Samplers

S-MS-IOM-00541-1 01-19



COMPANY WITH
QUALITY SYSTEM
CERTIFIED BY DNV GL
= ISO 9001 =

 **SENTRY**

Table of Contents

Safety Information	3
General Safety Precautions	4
General Description	4
Installation.....	5
Operation.....	5
Maintenance.....	6
Standard Warranty	7
Customer Support.....	7



Do not install, maintain, or operate this equipment without reading, understanding, and following the appropriate Sentry Equipment Corp instructions. Otherwise, injury, damage, or both may result.

Copyright

© 2019 by Sentry Equipment Corp. All rights reserved. All product and company names are property of their respective owners. This document contains proprietary information. No part of this document may be photocopied or reproduced without the prior written consent of Sentry Equipment Corp.

Limit of Liability

Sentry Equipment Corp, its employees, agents, and the authors and contributors to this document specifically disclaim all liabilities and warranties, express or implied (including warranties of merchantability and fitness for a particular purpose), for the accuracy, currency, completeness, and/or reliability of the information contained herein and/or for the fitness for any particular use and/or for the performance of any material and/or equipment selected in whole or part with the user of/or in reliance upon information contained herein. Selection of materials and/or equipment is at the sole risk of the user of this publication.

Note

The information contained in this document is subject to change without notice.

Safety Information

Please read the entire manual before attempting to unpack, set up, or operate this product. Pay careful attention to all Warnings, Cautions, and Notes. Failure to do so could result in serious personal injury and/or equipment damage.

Use of Hazard Information

If multiple hazards exist, the signal word corresponding to the greatest hazard shall be used.

Definitions

DANGER

DANGER indicates a hazardous situation which, if not avoided, will result in death or serious injury.

WARNING

WARNING indicates a hazardous situation which, if not avoided, could result in death or serious injury.

CAUTION

CAUTION, used with the safety alert symbol, indicates a hazardous situation which, if not avoided, could result in minor or moderate injury.

NOTICE

NOTICE is used to address practices not related to personal injury.

NOTE

Information that requires special emphasis.

TIP

Alternate techniques or clarifying information.

SHALL: This word is understood to be mandatory.

SHOULD: This word is understood to be advisory.

General Safety Precautions

Product Selection, Installation, and Use

⚠ WARNING

Improper selection, installation, or use can cause personal injury or property damage. It is solely the responsibility of users, through their own analysis and testing, to select products suitable for their specific application requirements, ensure they are properly maintained, and limit their use to their intended purpose.

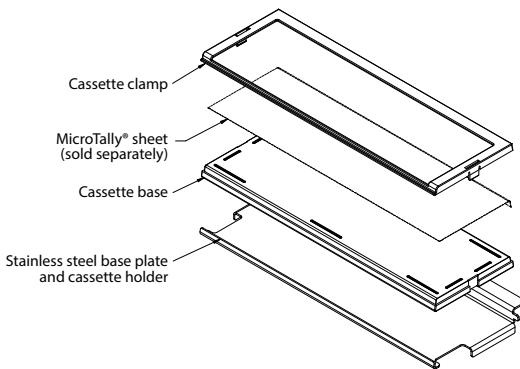
Follow proper local, state, and federal regulations for proper installation and operational requirements.

Always use caution and common sense when working with any chemical. Read the product label and Material Safety Data Sheets (MSDS) carefully and follow the instructions exactly.

General Description

The Sentry® PathTect® continuous sampling device obtains representative samples for pathogen detection from beef trim lines. The sampler uses a standard MicroTally™ sheet contained in a reusable cassette located at the discharge of the trim line to the combo box. Each piece of trim touches the MicroTally sheet and inoculates it with any pathogen that is present. The inoculated sheets are easily retrieved from the cassette and sent on for testing.

The complete sampling device is comprised of four pieces including a stainless steel baseplate and cassette holder, a plastic cassette base, a cassette top clamp, and the MicroTally sampling cloth (sold separately).



MicroTally is a trademark of Fremonta Corporation.

Installation

Installation of the PathTect sampling device can be at the end of a conveyor belt or metal chute or it can be mounted to a portable chute. The sampler design allows for vertical or horizontal mounting configurations so that products moving horizontally from suspended convey systems can be accommodated.

The stainless steel baseplate and cassette holder is designed to be adapted to the convey line by welding to its front edge or sides. It is recommended that the baseplate be mounted at approximately 45 degrees down angle, toward the combo bin to ensure contact with the trim discharge.

Contact Sentry Equipment for customized versions of the stainless steel baseplate and cassette holder.

Operation

1. Assemble the appropriate sampling supplies:
 - gloves
 - 2-piece cassette
 - pre-packaged and sterilized MicroTally sampling cloth
2. Put on gloves and sanitize appropriately.
3. Sanitize the two-piece cassette that holds the cloth in place with an anti-microbial or hot water. Allow the cassette to air- or drip-dry before installing the cloth.

NOTE

Cassettes may be assembled as needed or in batches, provided there is a sanitary place and method to store them until needed.

4. Re-sanitize your gloves as well as a flat surface that can be used to assemble the cassette with the cloth.

CAUTION

After sanitizing, remember not to let anything touch your gloves, the cassette, sanitized surface, MicroTally bag, or MicroTally cloth.

5. Position the bottom cassette piece on the flat surface.
6. Tear off the perforated top from the MicroTally bag, remove the MicroTally cloth and unfold it.
7. Center the cloth over the bottom cassette piece with enough cloth hanging over the top edge so that it will be held firmly in place when assembled.
8. Clamp the top piece down over the bottom. The cloth should cover the entire sampling surface exposed inside the top cassette piece.
9. Make sure the tabs on either end of the cassette are snapped into place so the cloth is held firmly.

10. Double check the positioning of the cloth and that the cassette is properly assembled.

➔ NOTE

When you are ready to begin sampling, the stainless steel cassette holder should already be installed on the end of the conveyor line at a 45-degree angle to the conveyor surface.

11. While the conveyor is either stopped or diverted to another sampling station, slide the assembled sampling cassette into the stainless steel holder from either end.
12. After the cassette is in place, the conveyor line can be re-started or diverted to the new combo for filling. The cloth collects the sample as the combo fills.
13. After the combo is full and the conveyor line is stopped or diverted, use sanitary procedures to remove the cassette from the holder.

➔ NOTE

Individual plants will need to develop specific procedures for sanitary handling of the cassette and the removal of the cloth.

14. Sanitize the cassette holder and install a new pre-loaded cassette into the holder so the line can be re-started as soon as a new combo is in place.
15. Place the cassette on a sanitary flat surface and disassemble it by unengaging the tabs at either end that hold the pieces together.
16. Remove the cloth while carefully refolding it, and return it to the original bag, making sure to close and label that sample bag.
17. Clean and re-sanitize the cassette so it is ready to reload for another cloth.

Maintenance

Cleaning and disinfection

Residual meat product may be removed using any tool approved by the user and the cassette may be disinfected by the users approved method such as 180°F water bath or chemical wash and rinse that is approved for use with food grade plastics.

Standard Warranty

Sentry Equipment Corp (“Seller”) warrants products manufactured by it and supplied hereunder (“Products”) to be free from defects in workmanship and, to the extent materials are selected by Seller, to be free from defects in materials, in each case for a period as defined in the table below:

Product Line	Product Category	Warranty Period
Sentry®	1. Automatic Sampling 2. Corrosion Monitoring 3. Manual Sampling 4. Sample Conditioning 5. Sampling & Analysis Systems 6. Replacement Parts (without expiration dates)	Eighteen months from date of shipment or twelve months from startup, whichever occurs first
Waters Equipment	1. Sampling & Analysis Systems 2. Replacement Parts (without expiration dates)	Twelve months from date of shipment

To view the full warranty, go to www.sentry-equip.com/warranty.

Customer Support

With proven sampling expertise since 1924, Sentry products and services provide business operations the critical insights to optimize process control and product quality. We deliver true representative sampling and analysis techniques to customers around the globe, empowering them to accurately monitor and measure processes for improved production efficiency, output, and safety. Standing behind our commitments, we are determined to tackle any application, anywhere.

We know that running an efficient operation isn’t easy. It requires thorough, careful analysis of controlled, real-time data achieved through reliable, accurate, and repeatable process monitoring and measuring. By effectively conditioning, sampling, and measuring gas, liquid, slurry, powder, solids, steam, or water within their production environments, our customers obtain the critical insights they need to control and optimize their processes.

Yet, controlling your processes also means reliable customer support throughout the life cycle of your equipment.

- Customer Service—General information, warranty claims, order management.
- Installation Service—For systems that require specialized expertise upon installation.
- Technical Support—Troubleshooting, training, and technical manuals.
- Field Service & Retrofits—When a problem needs immediate attention.
- Replacements Parts & Consumables—Order your replacement parts and consumables.
- Sentry ProShield Services—Select from four ProShield Guardian service plans providing different levels of support to protect your large system investments with regularly scheduled maintenance.

To learn more, go to www.sentry-equip.com/support.

Serving customers
in more than 50 countries
across six continents worldwide.



Sample. Monitor. Measure.

SENTRY

Any Application. Anywhere.

[sentry-equip.com](https://www.sentry-equip.com)

966 Blue Ribbon Circle North, Oconomowoc, WI 53066 U.S.A. | +1-262-567-7256 | support@sentry-equip.com