



ISOLOK[®] SERIES MSC AUTOMATIC SAMPLER

Automatic Sampler for Medium Viscosity Sanitary Products

Features

- Samples medium viscosity materials and discharges them by gravity
- Collects a fixed sample volume of 14 cc per cycle
- Conformant to 3-A Sanitary Standards through third party verification
- Ideal for liquids or slurries up to 1,000 centipoise

Options

- Port closures
- Line adapters
- Several types of containers
- Sampler enclosures (with or without heater)
- Sample heating or refrigeration
- Optional materials of construction and seal choices

Description

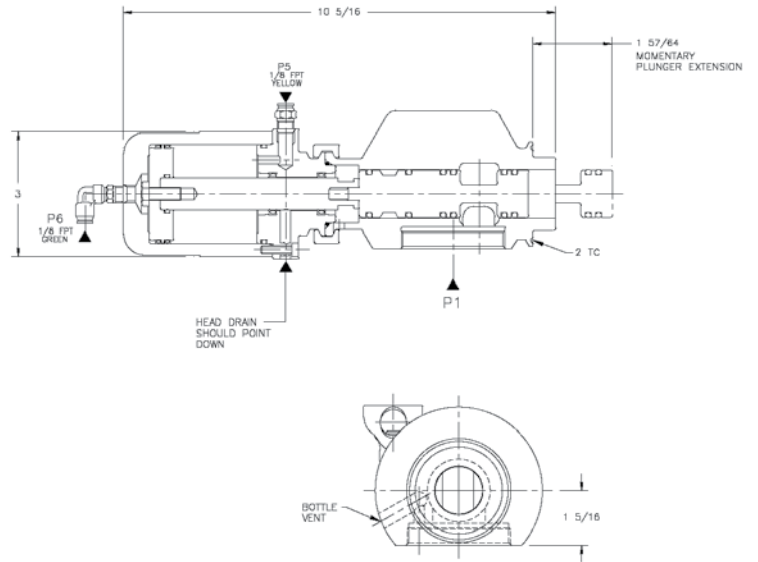
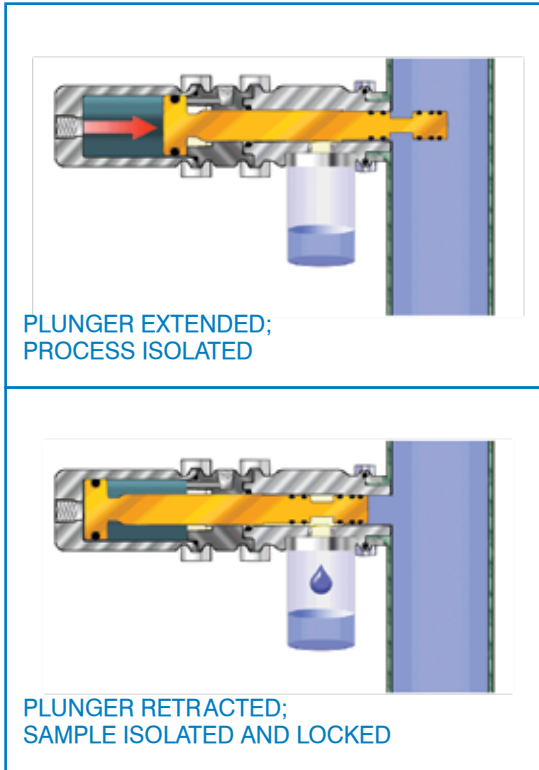
The *ISOLOK[®]* MSC series of samplers enable the collection of accurate samples of medium viscosity products such as cream or single-strength orange juice. The MSC delivers a fixed volume of sample with each cycle and includes direct mounting of wide-mouth labware plastic sample collection bottles (available in a variety of sizes). All metal parts are type 316 stainless steel with a polished finish. The sampler mounts onto the process line using a 2" Tri-Clamp ferrule mount held with a clamp and gasket. All product-contact seals are FDA-recognized elastomer compounds selected to meet application conditions. The series is available with a 1-1/2" bore or a 2-3/8" bore air cylinder. Dynamic cylinder seals are Buna-N.

Compressed air drives the sampler by forcing the plunger to reach into the process to capture a fixed volume of the material. Compressed air then acts on the opposite side of the piston to retract the plunger to a position which allows the sample to drop into a container. The operator is isolated from the process at all times by the sampler's seal design and the sample captured in the container is "locked out" from external influences.



SAMPLING PROCESS

ISOLOK[®] MSC TECHNICAL DATA

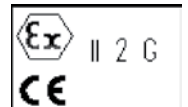


SPECIFICATIONS

| | |
|---|--------------------------------------|
| Sample Volume per Cycle | max. 14 cc (0.85 cu. in.) |
| Basic Electrical Requirements | 115 VAC, single phase, 50/60 Hz |
| Line Mounting Options | Tri-clamp or custom |
| Compressed Air Requirements | 60 psig minimum |
| Materials of Construction | 316 stainless steel |
| Actuator and Static Seals | TFE or Viton [®] |
| Plunger Seals | Buna-N, Viton [®] or custom |
| Overall Dimensions, length x diameter | 10.3" (26 cm) x 4" (10 cm) |
| Net weight, not including controller or accessories | 16.6 lbs. (7.5 kg) |

⚠ WARNING

It is solely the responsibility of the end-user, through its own analysis and testing, to select products and materials suitable for their specific application requirements, ensure they are properly installed, safely applied, properly maintained, and limit their use to their intended purpose. Improper selection, installation, or use may result in personal injury or property damage.



SENTRY EQUIPMENT CORP

PO Box 127
Oconomowoc, WI 53066 USA
Phone: 262-567-7256
Fax: 262-567-4523

E-mail:
sales@sentry-equip.com

Website:
www.sentry-equip.com

QUALITY MANAGEMENT SYSTEM
CERTIFIED BY DNV
ISO 9001:2008

For further information, contact: